

HZE1G/HZE2G

Coalescence purifier filters

The coalescence purifier filter is used in applications where a very high degree of filtration as well as air free from oily residues are required. The purifying filter is supplied with a coalescence filter element capable of retaining solid particles, oil vapors and condensation.

Filtration grades available:

- 0,3 µm and residual oil 0,1 mg/m³ (ISO 8573 - 1: 2010 class 2.7.2)
- 0,01 µm and residual oil 0,01 mg/m³ (ISO 8573 - 1: 2010 class 1.7.1)

ATEX version available upon request

CE Ex II 3 GD c nA II T5 -10 °C ≤ Ta ≤ 45 °C



TECHNICAL CHARACTERISTICS

Ambient temperature	2 ÷ 65 °C
Fluid	filtered compressed air 5 µm
Working pressure	10 bar
Max pressure	15 bar
Sizes	1 - 2
Filter element	0,3 µm 0,01 µm
Condensation drain	manual (standard) semi-automatic/automatic (on request)
Mounting position	vertical, a 5 µm pre-filter is to be installed upstream

CONSTRUCTIVE CHARACTERISTICS

Body	die-cast aluminium
Bowl	polycarbonate
Bowl guard	technopolymer
Filter element	high efficiency borosilicate glass microfiber filter media

CODIFICATION KEY

H	Z	E	1	G	1	0	G		B	
1	2	3	4	5	6	7				

1 Series	2 Size	3 Model	4 Thread
HZE = Air treatment with standard manual drain	1= Size 1 2= Size 2	G = Coalescence	10G = G3/8 (sz.1) 15G = G1/2 (sz.1 - 2)

5 Option	6 Version	7 ATEX option
A = Automatic drain S = Semi-automatic drain	B = Filter element 0,01 µm (red color) C = Filter element 0,3 µm (green color)	X = Atex (upon request) See ATEX Catalogue for types and versions

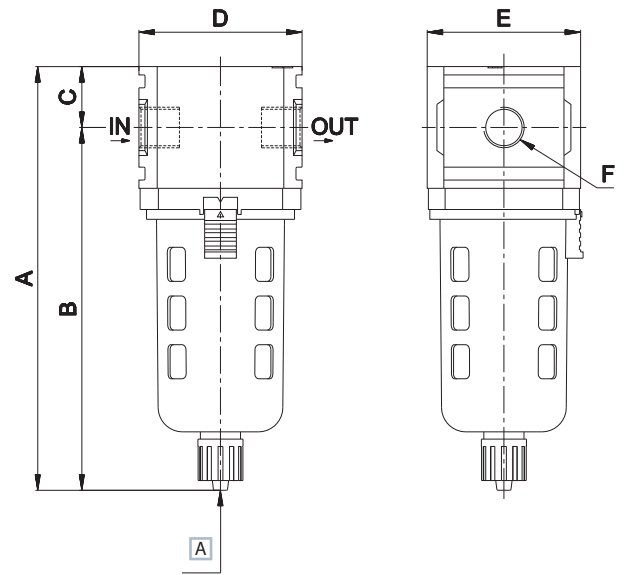
Coalescence purifier filters	Size			
	1		2	
Part no.	HZE1G		HZE2G	
Connections	G3/8 - G1/2		G1/2	
Filtration rate (μm)	0,3	0,01	0,3	0,01
Residual oil content (mg/m^3)	0,1	0,01	0,1	0,01
Nominal flow rate with manual drain (NI/min) ^(A)	600		1000	
Nominal flow rate with automatic drain (NI/min) ^(A)	450		750	
Condensation drain capacity (cm^3)	45		80	
Type of mounting	vertical			
Weight (Kg)	0,31		0,55	

(A) = inlet pressure 7 bar

Note: Install a 5 μm pre-filter prior to the coalescence purifier filter.

It is recommended to replace the filter element when the pressure drop (ΔP) exceeds 0,7 bar

HZE1G/HZE2G



A Manual drain

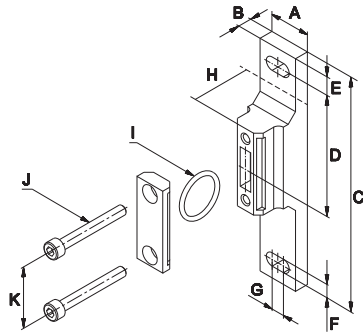
Size	A	B	C	D	E	F
1	180	157	23	63	63	G3/8-G1/2
2	195	172	23	80	80	G1/2



4

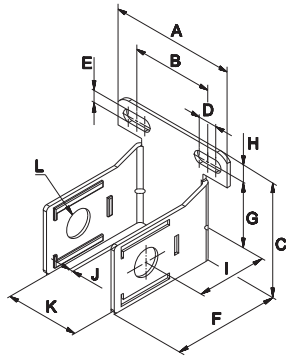
Fixing elements

T-bracket assembly kit



Size	A	B	C	D	E	F	G	H	ØI	J	K	Part No.
1	22	7	125	45	10	7	7	27	25,7	M5x45	32	HZE1Z210
2	22,5	7	125	45	10	7	7	37	25,7	M5x45	32	HZE2Z210

C-bracket



Size	A	B	C	D	E	F	G	H	I	J	K	ØL	Part No.
1	67	34,5	76	14	7	69	45	9	45	2,3	63	25	HZE1Z300
2	84	55	93,5	14	9	102	50	11	65	2,3	80	25	HZE2Z300

Spare parts

HZE1/2Z600



Standard bowl with manual drain
Size 1 HZE1Z600
Size 2 HZE2Z600

HZE1/2Z600SS



Bowl with semi-automatic drain
Size 1 HZE1Z600SS
Size 2 HZE2Z600SS

HZE7Z400



Automatic drain
Size 1-2 HZE7Z400

HZE1/2Z673L



Filter element for manual and semi-automatic drain 0,3 µm
Size 1 HZE1Z673L
Size 2 HZE2Z673L

HZE1/2Z671L



Filter element for manual and semi-automatic drain 0,01 µm
Size 1 HZE1Z671L
Size 2 HZE2Z671L

HZE1/2Z673C



Filter element for automatic drain 0,3 µm
Size 1 HZE1Z673C
Size 2 HZE2Z673C

HZE1/2Z671C



Filter element for automatic drain 0,01 µm
Size 1 HZE1Z671C
Size 2 HZE2Z671C