

# YMP40

## Wide-type Parallel Pneumatic Gripper

- Bore sizes: Ø 10 - 16 - 20 - 25 - 32
- Finger motion synchronization by a rack and pinion mechanism
- The double piston construction materializes a compact parallel grippers with great holding force and wide range strokes
- All shafts are equipped with two-point support type self-lubricated bearings
- The dust seals are contained for protecting the rods thresholds from dust



### TECHNICAL CHARACTERISTICS

Ambient temperature		-10 ÷ 60 °C				
Acting type		double acting				
Fluid		filtered air, with or without lubrication				
Bore Ø (mm)		10	16	20	25	32
Working pressure (bar)		1 ÷ 6,1				
Max frequency (cycles/min)		40	40	40	40	20
Repeatability (mm)		± 0,1				
Opening/Closing stroke (mm)		20-40-60	30-60-80	40-80-100	50-100-120	70-120-160
Gripping force (N)*	closing	14	44	77	128	227
	opening	14	44	77	128	227

\* = Gripping force at 5 bar, gripping point 30 mm

### CONSTRUCTIVE CHARACTERISTICS

Body	aluminium
Piston rod	stainless steel
Piston	brass
Rack	stainless steel
Pinion	carbon steel
Seal	nitrile rubber
Magnet	plastroferrite
Fingers	aluminium

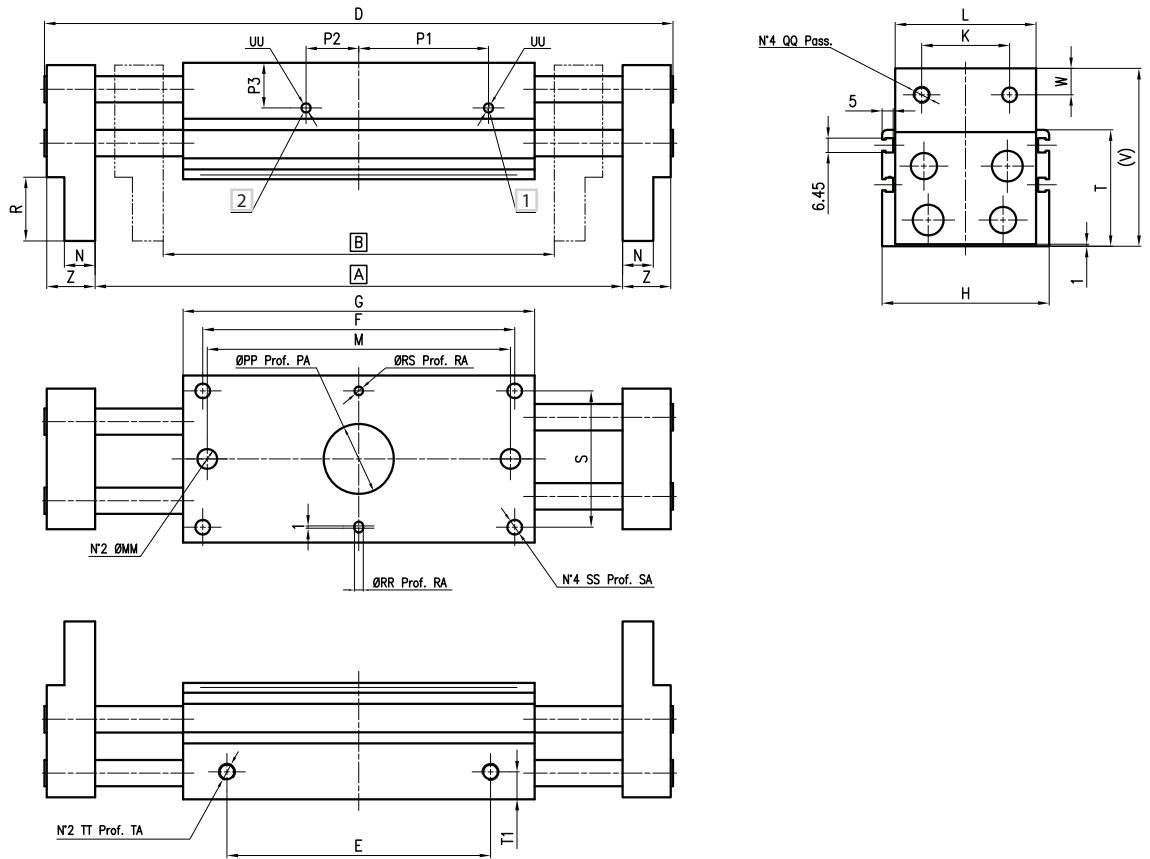
### CODIFICATION KEY

Y	M	P	4	0	0	1	0	0	4	0	
			1		2				3		

1 Series	2 Bore (mm)	3 Stroke (mm)
YMP40 = Wide-type Parallel Pneumatic Gripper	010 = Ø10 016 = Ø16 020 = Ø20 025 = Ø25 032 = Ø32	020 = 20    070 = 70 030 = 30    080 = 80 040 = 40    100 = 100 050 = 50    120 = 120 060 = 60    160 = 160

Ø	10			16			20			25			32		
Stroke (mm)	20	40	60	30	60	80	40	80	100	50	100	120	70	120	160
Weight (Kg)	0,28	0,35	0,43	0,62	0,80	0,94	1,03	1,50	1,69	1,69	2,8	3,0	3,15	4,36	5,4

Overall dimensions



- 1 Supply port - opening
- 2 Supply port - closing

Part no.	Stroke	A	B	D	E	F	G	M	P1	P2
YMP40010	20	76	56	100	26	36	51	38	12	12
	40	118	78	142	42	52	67	54	19,5	19,5
	60	156	96	180	60	70	85	72	28,5	28,5
YMP40016	30	98	68	128	28	45	60	40	14,4	14,4
	60	170	110	200	58	75	90	70	29,4	29,4
YMP40020	40	122	82	160	38	58	71	54	16,9	16,9
	80	222	142	260	80	100	113	96	34,4	34,4
	100	262	162	300	100	120	133	116	44,4	44,4
YMP40025	50	150	100	196	48	70	88	66	23	23
	100	282	182	328	102	124	142	120	50	23
YMP40032	70	220	150	272	60	86	110	-	28	28
	120	318	198	370	108	134	158	-	52	52
	160	402	242	454	152	178	202	-	74	74

Part no.	H	K	L	N	MM	PA	PP	P3	QQ	R	RA	RR
YMP40010	44	20	34	7	4,5	1,5	18	9	M4x0,7	15	3	3
YMP40016	55	25	43	9	5,5	1,5	23	10	M5x0,8	19	3	3
YMP40020	65	30	54	12,5	6,6	1,5	27	11	M6x1,0	24	4	4
YMP40025	76	40	64	14	9	1,5	32	16	M8x1,25	29	4	4
YMP40032	82	50	70	15	-	2,5	35	16	M10x1,5	32	8	6

Part no.	RS	S	SA	SS	T	T1	TA	TT	UU	V	W	Z
YMP40010	3	34	8	M4x0,7	31	9	5	M4x0,7	M5x0,8	46,5	7	10
YMP40016	3	42	10	M5x0,8	39	10	7	M5x0,8	M5x0,8	58	8	13
YMP40020	4	52	12	M6x1,0	46	11	7	M4x1,0	M5x0,8	70	10	17
YMP40025	4	62	16	M8x1,25	52	12,5	7	M8x1,25	M5x0,8	81	12	21
YMP40032	6	64	16	M8x1,25	68	22	11	M8x1,25	RC(PT)1/8"	100	15	24

For technical data on the DF-T sensor, see chapter 5 Accessories