

YMP50

Self-centering 3 Jaw Pneumatic Gripper

- Bore sizes: Ø 16 - 25 - 32 - 40 - 50 - 63 - 80 - 100 - 125
- Pinholes are incorporated as standard, facilitating accurate mounting which is achieved through either body tapped or through hole mounting
- Auto switches can be simply attached via the standard built-in grooves
- The 3-jaw grippers is designed in lower height with long stroke



TECHNICAL CHARACTERISTICS

Ambient temperature	-10 ÷ 60 °C										
Acting type	double acting										
Fluid	filtered air, with or without lubrication										
Bore Ø (mm)	16	20	25	32	40	50	63	80	100	125	
Working pressure (bar)	2÷6			1÷6							
Max frequency (cycles/min)	120			60			30				
Repeatability (mm)	± 0,1										
Opening/Closing stroke (mm)	4	4	6	8	8	12	16	20	24	32	
Gripping force (N)*	closing	14	25	42	74	118	187	335	500	750	1270
	opening	16	28	47	82	130	204	359	525	780	1320

* = Gripping force at 5 bar, gripping point 20 mm (Ø16-25) 30 mm (Ø 32÷63) 50 mm (Ø 80 ÷125)

CONSTRUCTIVE CHARACTERISTICS

Body	aluminium
Cam	carbon steel
Piston	aluminium
Seal	nitrile rubber
Screws	stainless steel
Magnet	plastroferrite
Fingers	carbon steel

CODIFICATION KEY

Y	M	P	5	0	-	1	6
1						2	

1 Series

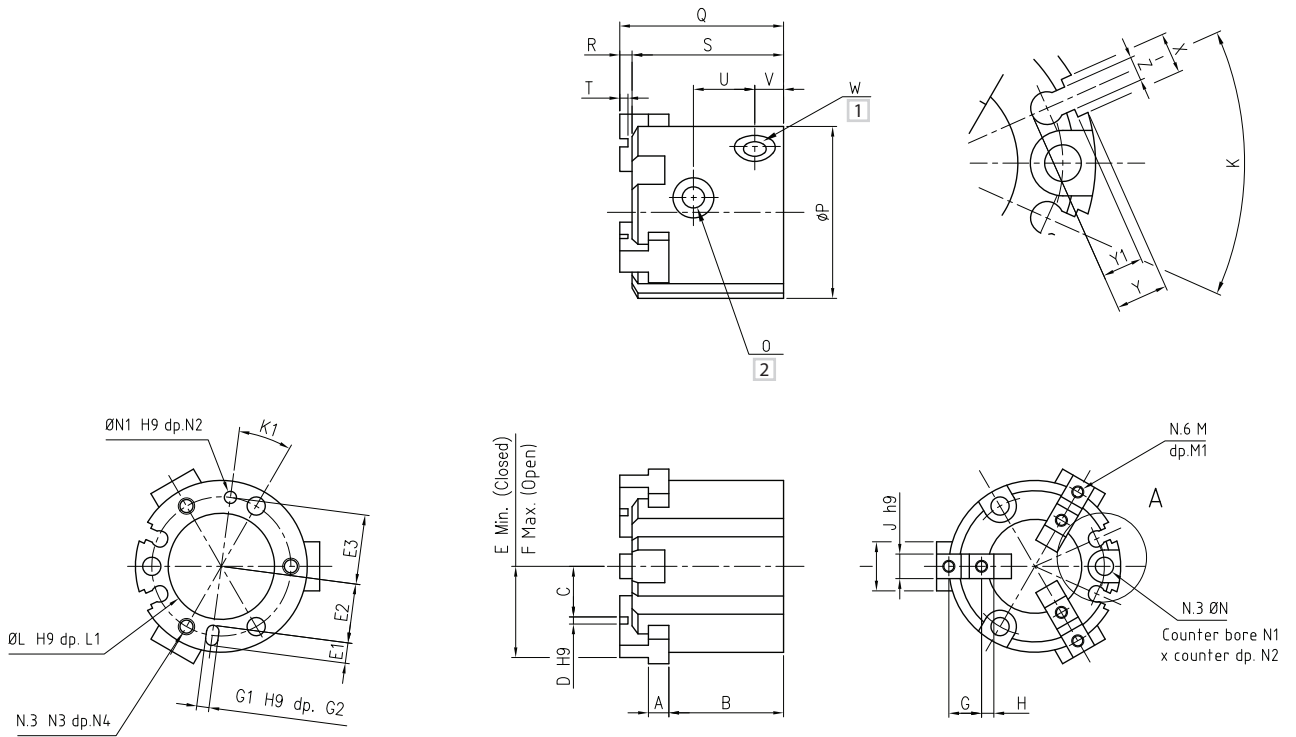
YMP50 = Self-centering 3 Jaw Pneumatic Gripper

2 Bore (mm)

16 = Ø16	50 = Ø50
20 = Ø20	63 = Ø63
25 = Ø25	80 = Ø80
32 = Ø32	100 = Ø100
40 = Ø40	125 = Ø125

Ø	16	20	25	32	40	50	63	80	100	125
Weight (Kg)	0,06	0,1	0,15	0,24	0,35	0,54	1	1,85	3,34	6,46

Ø16÷25



- 1 Supply port - opening
- 2 Supply port - closing

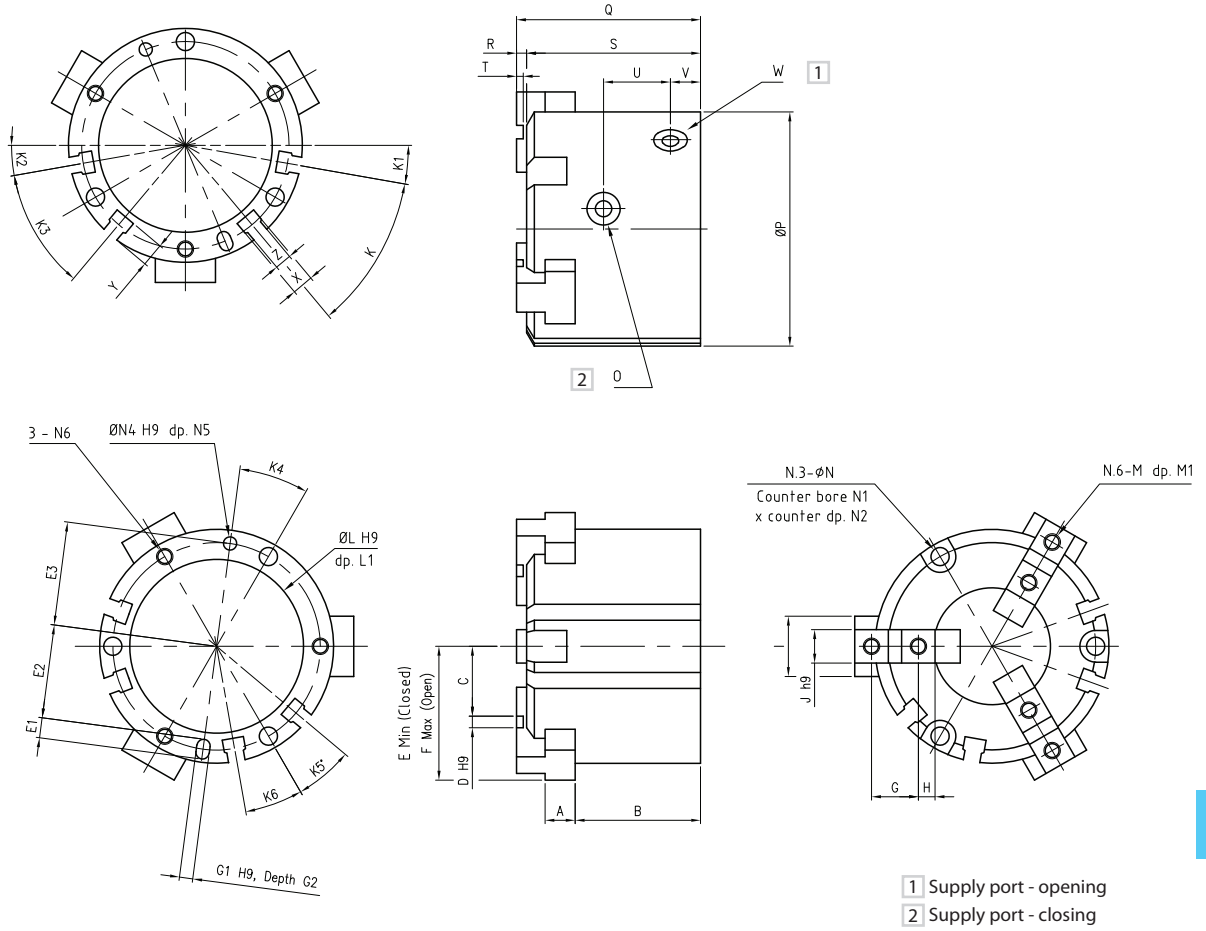
Part no.	A	B	C	D	E	E1	E2	E3	F	G	G1	G2	H	I	J	K	K1
YMP50-16	4	25	9	2	15	3	11	12,5	17	6	2	2	2	8	5	54	22,5
YMP50-20	5	27	11	2	18	3	13	14,5	20	7	2	2	2,5	10	6	50	22,5
YMP50-25	5	28	13	2	21	5	14,5	17	24	8	3	3	3	12	6	50	22,5

Part no.	L	L1	M	M1	N	N1	N2	O	P	Q	R	S	T	U	V	W	X
YMP50-16	17	1,5	M3x0,5	5	6,5	8	25	M3x0,5	30	35	3	32	2	11	7	M3x0,5	-
YMP50-20	21	1,5	M3x0,5	6	6,5	9,5	29	M5x0,8	36	38	3	35	2	13	7	M5x0,8	5
YMP50-25	26	1,5	M3x0,5	6	8	10	34	M5x0,8	42	40	3	37	2	15	7	M5x0,8	5

Part no.	Y	Y1	Z	Z1
YMP50-16	-	5	3	4
YMP50-20	6,5	5	3	4
YMP50-25	6,5	5	3	4

For technical data on the DF-T sensor, see chapter 5 Accessories

Ø32÷80



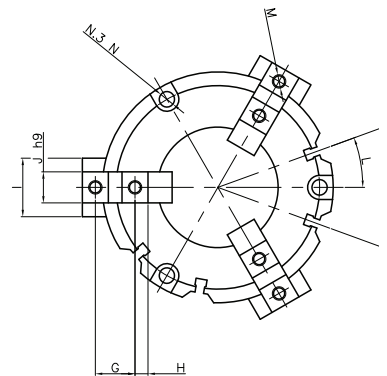
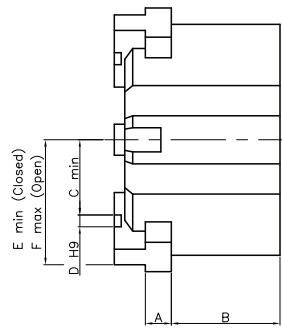
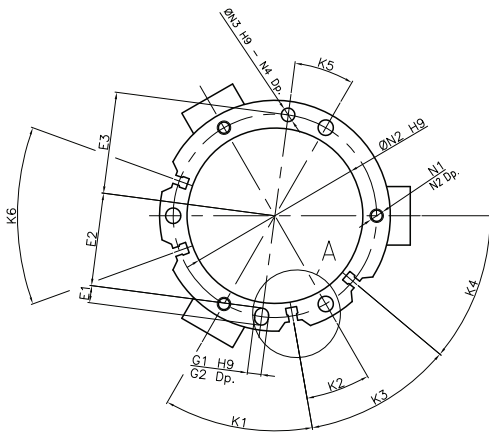
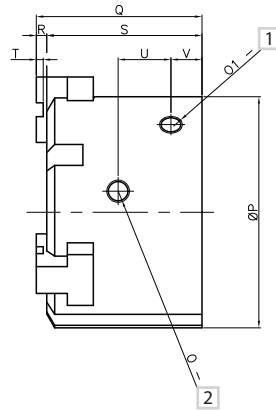
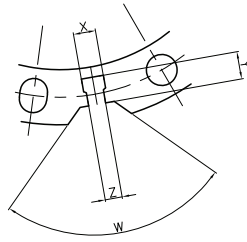
Part no.	A	B	C	D	E	E1	E2	E3	F	G	G1	G2	H	I	J	K	K1
YMP50-32	6	30,5	17	2	28	5	19,5	22	32	11	3	3	4,5	14	8	40	10
YMP50-40	7	32	19	3	31	6	23,5	26,5	35	12	4	4	4,5	16	8	40	10
YMP50-50	9	37,5	21	4	35	6	28	31	41	14	4	4	5	18	10	40	10
YMP50-63	11	44	26	6	43	7	34,5	38	51	17	5	5	5,5	24	12	40	10
YMP50-80	12	56	33,5	8	53,5	8	43,5	47,5	63,5	20	6	6	6	28	14	40	10

Part no.	K2	K3	K4	K5	K6	L	L1	M	M1	N	N1	N2	O	P	Q	R	S
YMP50-32	10	40	22,5	20	20	34	2	M4x0,7	8	4,5	8	9	M5x0,8	52	44	3	41
YMP50-40	10	40	22,5	20	20	42	2	M4x0,7	8	5,5	9,5	9	M5x0,8	62	47	3	44
YMP50-50	10	40	22,5	20	20	52	2	M5x0,8	10	5,5	9,5	12	M5x0,8	70	55	3	52
YMP50-63	10	40	22,5	20	20	65	2,5	M5x0,8	10	6,6	11	14	M5x0,8	86	66	4	62
YMP50-80	10	40	22,5	20	20	82	3	M6x1	12	6,5	11	19	1/8	106	82	5	77

Part no.	T	U	V	W	X	Y	Z
YMP50-32	2	16	8	M5x0,8	6,4	6	5
YMP50-40	2	17	9	M5x0,8	6,4	8	5
YMP50-50	2	20	9	M5x0,8	6,4	7	5
YMP50-63	3	22	12	M5x0,8	6,4	7,5	5
YMP50-80	4	27	13,5	1/8	6,4	9	5

For technical data on the DF-T sensor, see chapter 5 Accessories

Ø100-125



- 1 Supply port - opening
- 2 Supply port - closing

Part no.	A	B	C	D	E	E1	E2	E3	F	G	H	I	J	K	K1	K2	K3
YMP50-100	15	63	43	8	66	10	54	59	78	23	7,5	34	18	40	40	20	40
YMP50-125	18	84	50	10	82	12	68	74	98	31	10,5	40	22	40	40	20	40

Part no.	K4	K5	K6	L	M	N	O	O1	P	Q	R	S	T	U	V	W	X
YMP50-100	40	22,5	40	20	M8x1,25	9	1/4	1/4	134	96	6	90	4	30,6	18	90	6,4
YMP50-125	40	-	40	20	M10x1,5	11	3/8	3/8	166	122	8	114	6	38	23,5	90	6,4

Part no.	Y	Z
YMP50-100	8	5
YMP50-125	8	5

For technical data on the DF-T sensor, see chapter 5 Accessories